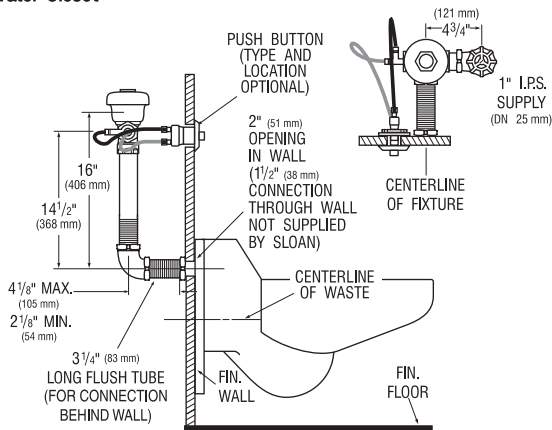
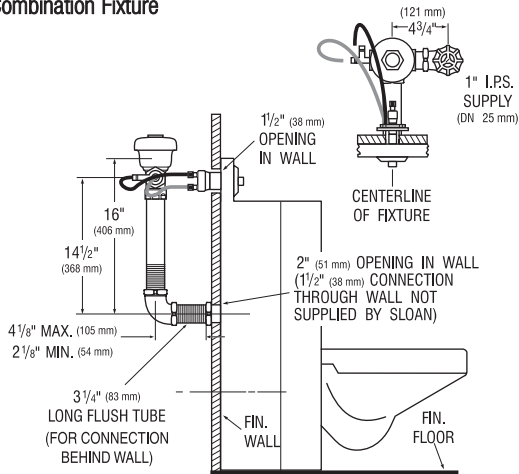


Water Closet



Combination Fixture



Hydraulic Royal® 9603-1.28 Prison Model Flushometer

- ▶ **Description**
Concealed, High Efficiency Hydraulically Activated Royal® Water Closet Flushometer, for Stainless Steel back spud water closets and Combination Fixtures. For use with: Acorn® • Bradley® • Willoughby® and similar fixtures.
- ▶ **Flush Cycle**
 Model 9603-1.28 High Efficiency (1.28 gpf/4.8 Lpf)
- ▶ **Specifications**
Quiet, Concealed, Diaphragm Type, Rough Brass Closet Flushometer for either left or right hand supply with the following features:
 - PERMEX® Synthetic Rubber Diaphragm with Dual Filtered Fixed Bypass
 - ADA Compliant Non-Hold-Open feature type Actuator (specify Actuator type listed below)
 - 1" I.P.S. Wheel Handle Bak-Chek® Angle Stop
 - Adjustable Tailpiece
 - High Back Pressure Vacuum Breaker
 - Elbow Flush Connection and Coupling for 1-1/2" NPT Back Inlet (for connection in the pipe chase — flush connection through the wall not provided by Sloan)
 - Exposed parts Chrome Plated
 - High Copper, Low Zinc Brass Castings for Dezincification Resistance
 - Non-Hold-Open Push Button, Fixed Metering Bypass and No External Volume Adjustment to Ensure Water Conservation
 - Handle Packing, Stop Seat and Vacuum Breaker molded from PERMEX® Rubber Compound for Chloramine Resistance
 - 100% of the energy used in manufacturing is offset with Renewable Energy Sources – Wind Energy

- ▶ **Actuator Types: (please check one)**
 - MBFW** Metal Button Fixture Wall Actuator (HY-100-A) (rear access)
 - MBPM** Metal Button Panel Mount (HY-108-A) for use only with Wall Box or when
- ▶ **Variations**
 - AFD** Shorter Vacuum Breaker - for use with Anti-Flood Device (Anti-Flood Device NOT provided by Sloan)
 - YB** Sweat Solder Adapter

Made In The
USA



Sloan Valve Company is buying renewable energy certificates to meet 100% of the company's purchased electricity use at its Franklin Park, Illinois facility.

This space for Architect/Engineer approval

Job Name _____ Date _____

Model Specified _____ Quantity _____

Variations Specified _____

Customer/Wholesaler _____

Contractor _____

Architect _____

The information contained in this document is subject to change without notice.



SLOAN VALVE COMPANY • 10500 SEYMOUR AVE. • FRANKLIN PARK, IL. 60131
Ph: 1-800-9-VALVE-9 or 1-847-671-4300 • Fax: 1-800-447-8329 or 1-847-671-4380
www.sloanvalve.com